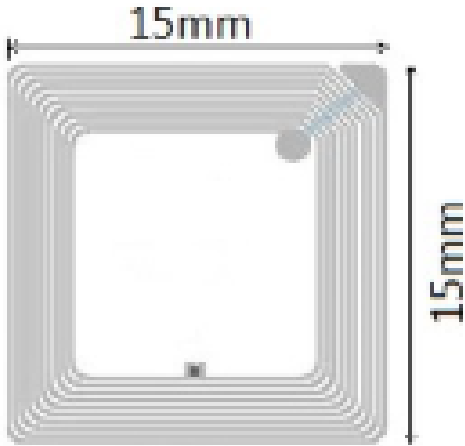


HF 1515 INLAY



Global Tag **HF1515** is flexible solution for label, available in HF ISO14443, HF ISO15693, NFC. The label can be supplied with different surface materials as Paper, PP, PET or PVC..

LABELY is supplied in reel for easy printing way during application. Different customization are available as die-cut size, User memory encoding, printing.



MECHANICAL AND ENVIRONMENTAL SPECIFICATIONS

Antenna Size: 15x15mm

Die-Cut Size: 18x18mm

Web Width: 28mm

Pitch Size: 32mm

Mounting System: Strong permanent adhesive, (optionally 3M 467 glue)

Material: Available Paper, PP, PET, PVC

Color: White

Antenna Material: Alluminium

Storage Temperature: -40°C to +65°C / -40°F to 149°F

Operating Temperature: -25°C to +50°C / -13°F to 122°F

Delivery format: in reel

TYPES OF RFID CHIPS:

Operation Frequency	HF 13,56MHz	HF 13,56MHz
Air interface protocol	ISO14443	ISO15693
IC Type Available	NXP Mifare Classic 1K, Mifare 1K compatible, Mifare Ultralight, Mifare Desfire 2/4K, N-Tag213, N-Tag216	I-Code SLIX, I-Code SLIX2, I-Code SLIX-S, I-Code SLIS

CUSTOMIZATION OPTIONS:

Silk Printing: Serial UID, serial progressive number from database, randomize number from database text and Barcode or QRCode. Other customization on required. 4-colors printing logo. Only available on front side.

Pre-Encoding: Customer specific encoding of User Memory (also from Database).

ORDER INFORMATION:

PRODUCT CODE PAPER LABEL: GT-PL1818-XX*

PRODUCT CODE PP LABEL: GT-PP1818-XX*

PRODUCT CODE PET LABEL: GT-PET1818-XX*

PRODUCT CODE PVC LABEL: GT-PVC1818-XX*

* (XX: required chip)

For further information or customized request:

Global Tag Srl - Via Zanardelli 13/A 25062 Concesio (BS) - Italy

P +39 030 2005259

S global-tag

W www.global-tag.com

M sales@global-tag.com

DISCLAIMER:

The information in this document is subject to change without notice. Global Tag assumes no responsibility for any errors that may appear in this document. Application recommendations are guidelines only - actual results may vary and should be confirmed. This is a general-purpose product not designed or intended for any specific application. Global Tag Srl or its subsidiaries are not responsible for the performance or support of third party products and does not make any representations or warranties whatsoever regarding quality, reliability, functionality, or compatibility of these devices or products.

© Copyright 2025 - Global Tag Srl