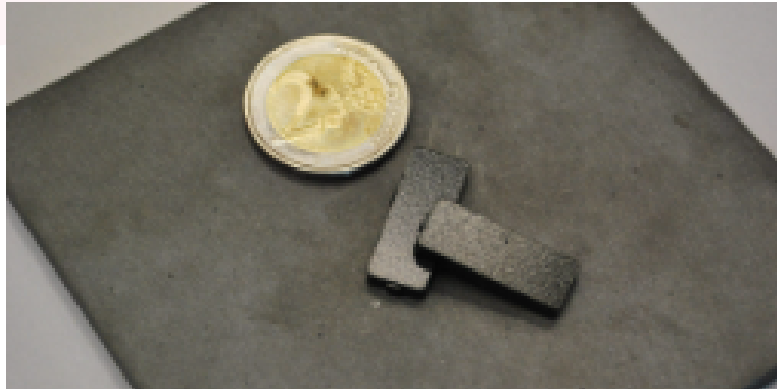


IN-METAL TINY-XL (23X9X3MM)

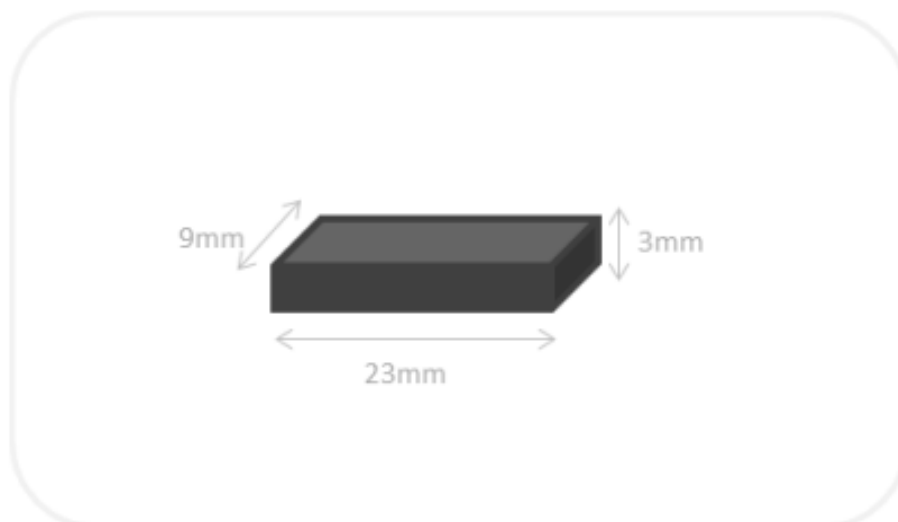


Global Tag **IN-METAL TINY-XL** is a RFID UHF in-metal tag, which can both be placed on metal surfaces and integrated in metal objects. Born for indoor and outdoor uses, it can survive in the harshest environments, in high temperature conditions (up to 250°C). The size of this tag is 23x9mm, very small considering the reading range, up to 190cm (test has been made with 2W fixed reader with 27x27cm antenna).

MECHANICAL AND ENVIRONMENTAL SPECIFICATIONS:

Dimensions: 23x9x3mm / 0,90x0,354x0,118 in

Weight: 3,4g



Mounting System: for in-metal solution need to make hole 28x13mm with 4mm depth.

Material: Ceramic

Color: Black color - Available optionally any other colors (with MOQ request)

Class Protection: IP68 (Totally protected against ingress of solid / Protected against long period of immersion)

Storage Temperature: -40°C to +250°C / --40°F to +482°F

Operating Temperature: -25°C to +150°C / -13°F to +302°F

Weather Ability: Very Good, including UV resistance and sea water

Delivery format: Individual

Expected lifetime: Years in normal operating conditions

Chemical resistance:

No physical or performance changes in (tested up to, more hours can be):

- 200 hours Motor oil immersion
- 200 hours Salt water (salinity 10%) exposure
- 24 hours NH3 Ammoniac (5% to 25%)

INSTALLATION MODE:

For in-metal solution it is necessary to make a 28x13mm/ 4mm depth mill in the metal. Generally, the hole is filled with epoxy resin to protect and to make the tag more stable

ORDER INFORMATION:

Standard product is made with Alien Higgs3 chip

PRODUCT CODE: GT-TNY_XL_HT-AH3

For printing options or for produce transponder with different color or with other type of customization... contact us for more information:

Global Tag Srl – Via Zanardelli 13/A, 25062 Concesio (BS) - Italy

P +39 030 2005259

S [global-tag](http://global-tag.com)

W www.global-tag.com

M info@global-tag.com