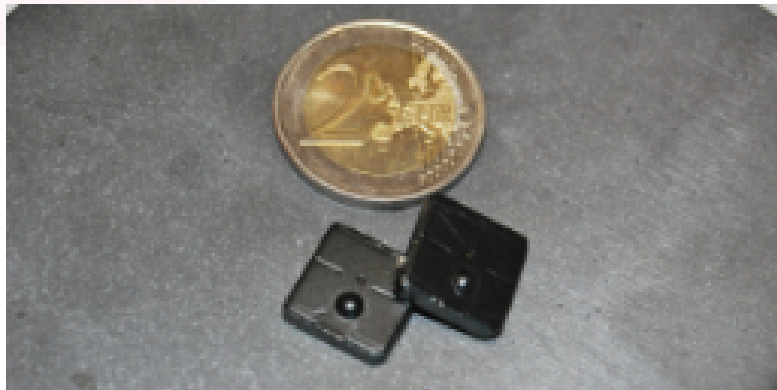


IN-METAL TINY-M (13X13X3MM)

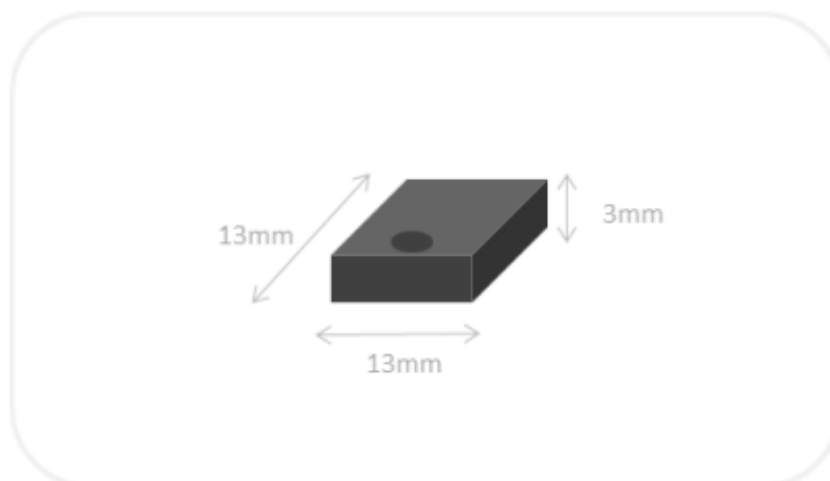


Global Tag **IN-METAL TINY-M** is small/medium tag 13x13mm in metal or on-metal UHF tag which guarantees very high performance. Born for indoor and outdoor uses, where the need is to mount a transponder on a metal surface or integrate it into metal objects. The Tiny-M is the intermediate size of the TINY series, and is a great compromise between size and reading distance.

MECHANICAL AND ENVIRONMENTAL SPECIFICATIONS:

Dimensions: 13x13x3mm / 0,512x0,512x0,118 in

Weight: 2,3g



Mounting System: for in-metal solution need to make hole 18x18mm with 4mm depth.

Material: Ceramic

Color: Black color - Available optionally any other colors (with MOQ request)

Class Protection: IP68 (Totally protected against ingress of solid / Protected against long period of immersion)

Storage Temperature: -40°C to +250°C / --40°F to +482°F

Operating Temperature: -25°C to +150°C / -13°F to +302°F

Weather Ability: Very Good, including UV resistance and sea water

Delivery format: Individual

Expected lifetime: Years in normal operating conditions

Chemical resistance:

No physical or performance changes in (tested up to, more hours can be):

- 200 hours Motor oil immersion
- 200 hours Salt water (salinity 10%) exposure
- 24 hours NH3 Ammoniac (5% to 25%)

INSTALLATION MODE:

For in-metal solution it is necessary to make a 6mm diameter with 4mm depth mill in the metal. Generally the hole is filled with epoxy resin to protect and to make the tag more stable.

ORDER INFORMATION:

Standard product is made with Alien Higgs3 chip

PRODUCT CODE: GT-TNY_M-AH3

For printing options or for produce transponder with different color or with other type of customization... contact us for more information:

Global Tag Srl – Via Zanardelli 13/A, 25062 Concesio (BS) - Italy

P +39 030 2005259

S global-tag

W www.global-tag.com

M info@global-tag.com