

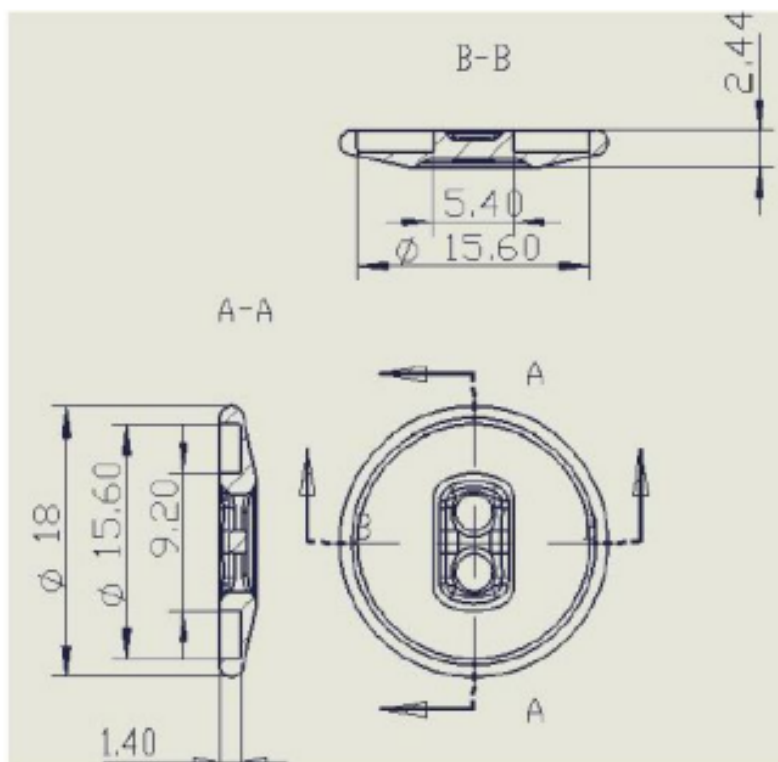
DISKY UHF 18MM LAUNDRY TAG



Global Tag PPS Disk UHF 18mm Laundry Tag is designed for applications in which a strong washing process is needed. It can be sewn thanks to the two holes, using standard button fastening machine. Available in UHF frequency, it can be read up to 1 meters (fixed reader).

MECHANICAL AND ENVIRONMENTAL SPECIFICATIONS:

Dimensions: Dia.18mm, Thickness 2.44mm (tolerance from 0mm to +0.3mm) With two holes to tighten tag on fabric, hole dia.2.5mm



Weight: 1,5 gr.

Material: PPS and Epox

Color: Generally black – It is available also with other color (MOQ)

Class Protection: IP68 (Totally protected against ingress of solid / Protected against long period of immersion)

Storage Temperature: -40°C to + 180°C / -40°F to +356°F

Operating Temperature: -10°C to +120°C / -14°F to +248°F

Delivery format: Singulated

Expected lifetime: Years in normal operating conditions

Water Extraction Pressure: up to 20 bars

Chemical resistance: Detergent, Softener, Bleach (Oxygen/ Chlorine), Alkali *4

Washing Methods: Laundry, Dry cleaning or high-temperature sterilization

Washing Cycles: more than 250 wash cycles or three years

Washing: 90°C 15 min

Drying: 160°C 30 min

Ironing: 200°C 10 sec

Tunnel Finisher: 185°C 3 min

CHIP SPECIFICATION AVAILABLE:

	UHF 860-960MHz
Device type	Class 1 Gen 2
Air interface protocol	ISO18000-63
IC Type Available	Monza 4 QT
Size Inlay	15 mm
Read Range	Up to 1 m (fixed reader) Up 50 cm (Handeld reader)

INSTALLATION MODE:

Sewing

APPLICATION MODE:

Laundry Application: PPS 18mm UHF Disk can be used to track clothes/uniforms/shoes during the washing process, withstanding the hardest conditions.

ORDER INFORMATION:

PRODUCT CODE:

GT-DSKY_B18-M4QT

For the realization of transponders with different colors or with other kind of customization, please contact us at any time:

Global Tag Srl – Via Zanardelli 13/A, 25062 Concesio (BS) - Italy

P +39 030 2005259

S [global-tag](http://global-tag.com)

W www.global-tag.com

M info@global-tag.com