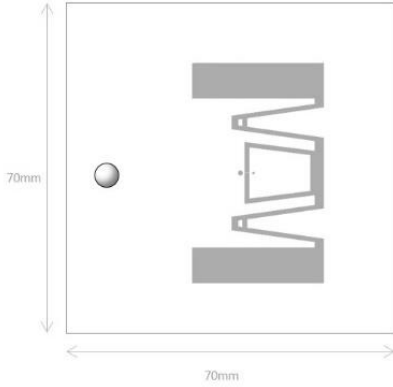


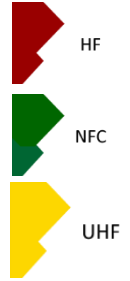
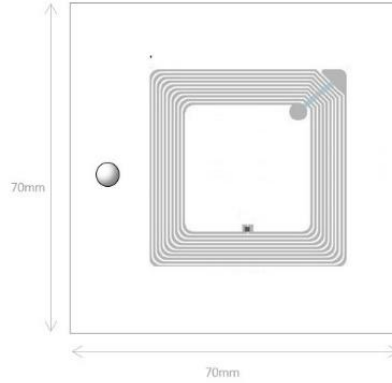
PRODUCT DATASHEET

GLOBAL TAG RFID/NFC Ticket 70x70mm

UHF



HF / NFC



MECHANICAL AND ENVIRONMENTAL SPECIFICATIONS

Antenna Size UHF: 30x50mm

Antenna Size HF:: 45x45mm

Paper/PP/PET ticket size: 70x70mm

Delivery format: Singulated or in fanfold (on request)

Antenna Material: Aluminum

Storage Temperature: -10°C to +65°C / -40°F to 149°F

Operating Temperature: -25°C to +50°C / -13°F to 122°F

IC CHIP SPECIFICATION

Operation Frequency	HF 13,56Mhz	UHF 860-960 Mhz
Air interface protocol	HF ISO14443 / ISO15693	UHF EPC Class 1 Gen 2
IC Type Available	I-Code SLIX, Ntag213, Mifare classic 1k, Mifare ultralight (other on request)	NXP U-Code 8
TID Memory	-	96bit
EPC Memory	-	128bit
User Memory	Depends on chip	-

CUSTOMIZATION OPTIONS

Printing: 4-color or monochrome logo, Progressive number, Serial number from database, Barcode or QRCode.

Encoding: Writing contents in EPC/User Memory (optionally from customer's database)

Holes: Available also with one or more holes into ticket according to customer.



ORDER INFORMATION

Standard products have these available size

PRODUCT CODE: GT-TKTY7070-xx (xx depends on chip)

For further information or customization request:

Global Tag Srl – Via Zanardelli 13/A 25062 Concesio (BS) - Italy

P +39 030 2005259

S [global-tag](https://www.global-tag.com)

W www.global-tag.com

M sales@global-tag.com

DISCLAIMER

The information in this document is subject to change without notice. Global Tag assumes no responsibility for any errors that may appear in this document.

Application recommendations are guidelines only - actual results may vary and should be confirmed. This is a general-purpose product not designed or intended for any specific application.

Global Tag Srl or its subsidiaries are not responsible for the performance or support of third-party products and does not make any representations or warranties whatsoever regarding quality, reliability, functionality, or compatibility of these devices or products.

© Copyright 2020 - Global Tag Srl