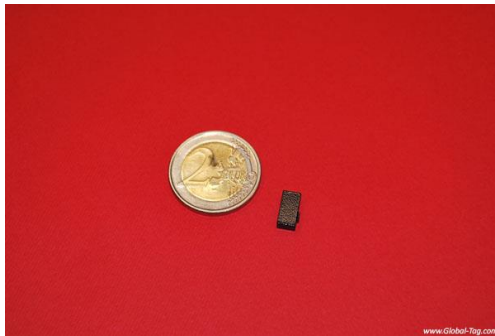


**PRODUCT DATASHEET**

**GLOBAL TAG IN-METAL TINY-S**

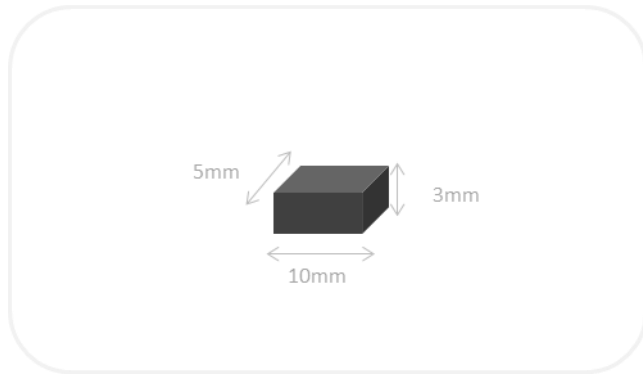


Global Tag **IN-METAL TINY-S** is small tag in-metal or on-metal UHF tag with high performance. Born for indoor and outdoor using where need to integrate transponder into metal object.



**MECHANICAL AND ENVIRONMENTAL SPECIFICATIONS**

**Dimensions:** 10x5x3mm / 0,393x0,190x0,118 in



**Mounting System:** for in-metal solution need to make hole 14x8mm with 4mm depth.

**Weight:** 1,0gr.

**Material:** Ceramic

**Color:** Black color - Available optionally any other colors (with MOQ request)

**Class Protection:** IP68 (Totally protected against ingress of solid / Protected against long period of immersion)

**Storage Temperature:** -40°C to +160°C / -40°F to +320°F

**Operating Temperature:** -25°C to +85°C / -13°F to +185°F

**Weather Ability:** Very Good, including UV resistance and sea water

**Delivery format:** Singulated

**Expected lifetime:** Years in normal operating conditions

**Chemical resistance:**

No physical or performance changes in (tested up to, more hours can be):

- 200 hours Motor oil immersion
- 200 hours Salt water (salinity 10%) exposure
- 24 hours NH3 Ammoniac (5% to 25%)

Values in the table are the best recommendations; resistance against environmental conditions depends on the combinations of all influencing factors, exposure duration and chemical concentrations. Thus, product's final suitability for certain environmental conditions is recommended to be tested. We are available for other information.



## CHIP SPECIFICATION AVAILABLE

	UHF 860-960MHz
Device type	Class 1 Gen 2
Air interface protocol	ISO18000-63
IC Type Available	Alien Higgs3, other on-request
Size Antenna	4mm
Read Range	Up to 70cm

## CUSTOMIZATION OPTIONS

**Pre-Encoding:** Customer specific encoding of EPC or User Memory (also from Database). Locking permanently or with password. Insert into Database TID code.

**3M Adhesive**

## INSTALLATION MODE

For in-metal solution need to make hole 14x8mm with 4mm depth. Generally hole is filled with epoxy resin to protect and to block tag.

## APPLICATION NOTE

**Machinery parts tracking:** **IN-METAL TINY-S** can be used to track and manage small machinery parts, also metallic components thanks to smallest size and good performance. With in-metal solution, transponder can be hidden into component.

**IT asset management:** **IN-METAL TINY-S** with small size can be used for IT asset management as Tablet, smartphone and other small size equipment.

## ORDER INFORMATION

Standard product is made with Alien Higgs3 chip

**PRODUCT CODE:** GT-TNY\_S-AH3

For printing options or for produce transponder with different color or with other type of customization... contact us for more information:

**Global Tag Srl** – Via Zanardelli 13/A, 25062 Concesio (BS) - Italy

P +39 030 2005259

S [global-tag](http://global-tag.com)

W [www.global-tag.com](http://www.global-tag.com)

M [sales@global-tag.com](mailto:sales@global-tag.com)

## DISCLAIMER

The information in this document is subject to change without notice. Global Tag assumes no responsibility for any errors that may appear in this document.

Application recommendations are guidelines only - actual results may vary and should be confirmed. This is a general purpose product not designed or intended for any specific application.

Global Tag Srl or its subsidiaries are not responsible for the performance or support of third party products and does not make any representations or warranties whatsoever regarding quality, reliability, functionality, or compatibility of these devices or products.

© Copyright 2017 - Global Tag Srl