

PRODUCT DATASHEET

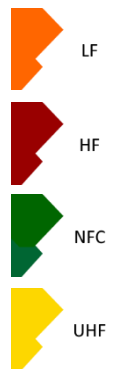
GLOBAL TAG **RAPTORY**



Global Tag **RAPTORY** Tag is a industrial hard Tag on-metal IP68 transponder. Waterproof, with two hole is available in LF, HF, UHF and also **NFC** Ready.

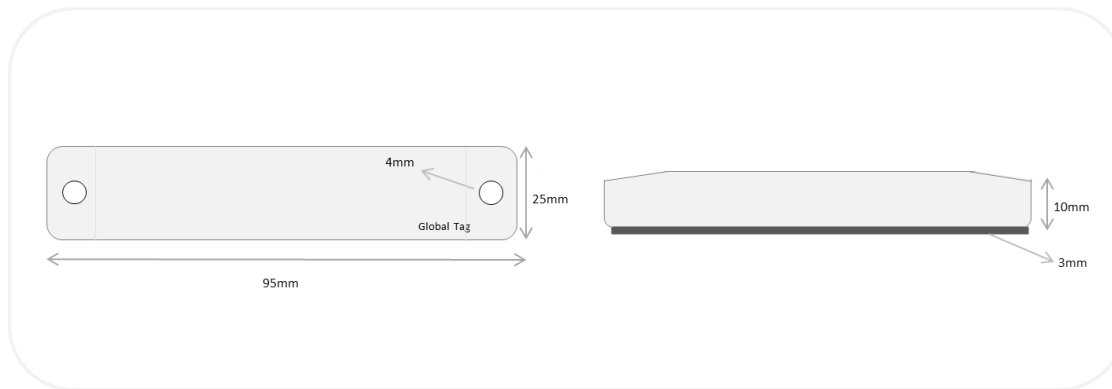
RAPTORY can be attached or screwed on all surface thanks to 3M adhesive ad Foam that help strong fixing also on irregular surface.

Are available different customization as color mold, UID or serial number engraving.



MECHANICAL AND ENVIRONMENTAL SPECIFICATIONS

Dimensions: 95x25x13mm (with foam adhesive 3mm) / 3,74x0,98x0,51 in



Mounting System: Rivet Holes (two holes) : \varnothing 4mm (0,16 in) and Foam Adhesive (3M 467) for irregular surface

Weight: 7gr.

Material: High Quality ABS (for case) – Foam with 3M 467 adhesive (for support layer)

Color: Generally white grey – Available optionally any other colors

Class Protection: IP68 (Totally protected against ingress of solid / Protected against long period of immersion)

Storage Temperature: -55°C (for 3h) to +100°C (for 2h) / -67°F (for 3h) to +230°F (for 2h) (for any other particular request contact us)

Operating Temperature: -25°C to +85°C / -13°F to +185°F

Weather Ability: Very Good, including UV resistance and sea water

Delivery format: Singulated

Expected lifetime: Years in normal operating conditions

Chemical resistance:

No physical or performance changes in (tested up to, more hours can be):

- 200 hours Motor oil immersion
- 200 hours Salt water (salinity 10%) exposure
- 200 hours H₂SO₄ Sulfuric acid (10% pH 2) exposure
- 24 hours NaOH Caustic Soda (10%, PH 13) exposure
- 24 hours HCl Muriatic Acid (10%) exposure
- 24 hours Na₂CO₃ Soda Solvay
- 24 hours NH₃ Ammoniac (5% to 25%)

Values in the table are the best recommendations; resistance against environmental conditions depends on the combinations of all influencing factors, exposure duration and chemical concentrations. Thus, product's final suitability for certain environmental conditions is recommended to be tested. We are available for other information.



CHIP SPECIFICATION AVAILABLE

	LF 125Khz	HF 13,56MHz	UHF 860-960MHz
Device type	N.D.	N.D.	Class 1 Gen 2
Air interface protocol	N.D.	ISO14443 and ISO15693 and NFC	ISO18000-63
IC Type Available	TK4100, T5577, EM4200, other on request	I-Code SLIX, I-Code SLIS, Mifare Ultralight, Mifare Classic 1K, Mifare Classic 4K, Mifare Plus X 4K, Mifare Desfire 4K, STM LRI2k, Ntag213, Ntag216, other on-request	Alien Higgs3, Alien Higgs 4, other on-request
Size Inlay		15X49mm (other on request)	73x23mm
Read Range	From 2 to 50cm	From 2 to 50cm	Up to 5meters

CUSTOMIZATION OPTIONS

Printing laser engraving: Serial UID, serial progressive number from database, randomize number from database text and Barcode or QRCode. Other customization on required.

Pre-Encoding: Customer specific encoding of EPC or User Memory (also from Database). Locking permanently or with password. Insert into Database TID code.

INSTALLATION MODE

With 3M 467MP Adhesive model: when mounting the tag with adhesive background, clean and dry the surface for obtaining maximum bond strength.

For more information about adhesive check at this link: <http://multimedia.3m.com/mws/media/1040640/high-performance-adhesive-transfer-tapes-with-3m-adhesive-200mp.pdf>

With Screws: Size M4.

With Pop Rivet: Size 4mm. We have available rivet and also optional Manual pistol rivet.



Note: Screw or Pop Rivet are recommended to be used in every application that includes risk for high mechanical stress or low temperature during tag fixing with adhesive.

APPLICATION NOTE

Asset management: **RAPTOR** can be used to track and manage corporate asset even when they are outdoors or in harsh conditions. With adhesive and also with screw it's very easy to applied.

Production management: **RAPTOR** help to track and trace all production steps inserting in memory all information for quality control, production batch, timing of production and so on.

Logistics, supply chain and Yard management: **RAPTOR** is made to control container, pallets, carts, construction vehicles or again trains and rails.

Waste bin management: **RAPTOR** can be applied on waste bins both plastic or metallic material; this Qu-id help to simplify project and help to have only one tag for all type of waste bins.

Maintenance: **RAPTOR** is strong tag made to improve maintenance service.



ORDER INFORMATION

Standard product is made with ABS Material and Foam adhesive 3mm

PRODUCT CODE: GT-RPTRY-xx (xx defined type of chip required)

On demand we can also produce transponder with different color or with other type of customization... contact us for more information:

Global Tag Srl – Via Zanardelli 13/A 25062 Concesio (BS) - Italy

P +39 030 2005259

S [global-tag](http://global-tag.com)

W www.global-tag.com

M sales@global-tag.com

DISCLAIMER

The information in this document is subject to change without notice. Global Tag assumes no responsibility for any errors that may appear in this document.

Application recommendations are guidelines only - actual results may vary and should be confirmed. This is a general purpose product not designed or intended for any specific application.

Global Tag Srl or its subsidiaries are not responsible for the performance or support of third party products and does not make any representations or warranties whatsoever regarding quality, reliability, functionality, or compatibility of these devices or products.

© Copyright 2016 - Global Tag Srl